

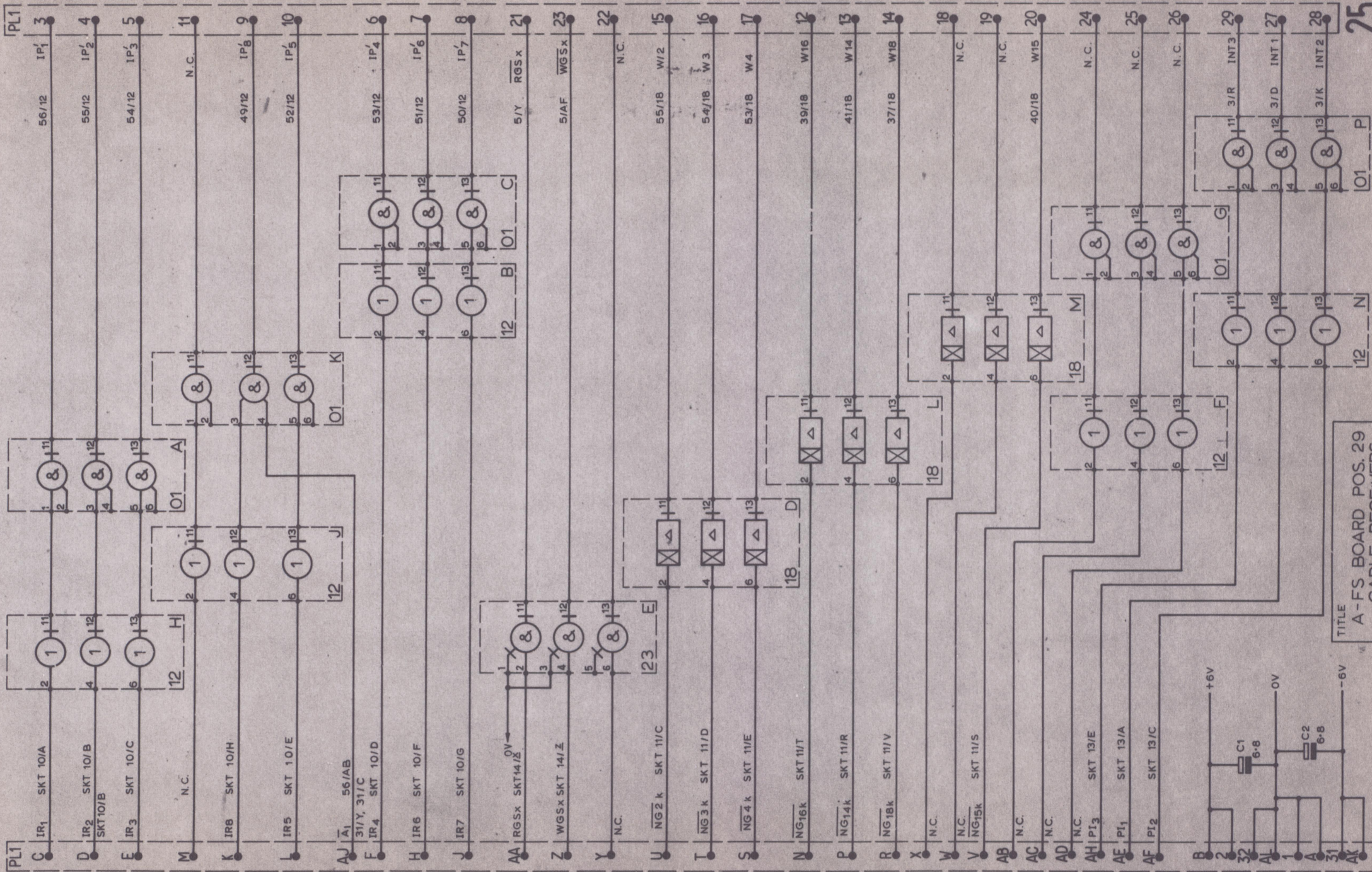
322C 5220

THIRD ANGLE PROJECTION

DIMENSIONS IN INCHES UNLESS OTHERWISE STATED

DO NOT SCALE DRAWING

USED ON
C 4690



TITLE
A-FS BOARD POS. 29
CABLE RECEIVERS
2

25

LATEST MI INCORPORATED: MI 2797 2998

ISSUE No.	1
ALTERATION No.	1740
DATE	3.6.66
INITIALS	S.S.
PARTS LIST No.	
DRAWN	D&D.
CHECKED	CS 615
APPROVED	<i>[Signature]</i>
DATE	4-11-66

MATERIAL

FINISH

TOLERANCES
 LINEAR
 UNMACHINED SURFACES ±
 MACHINED SURFACES ±
 ANGULAR DIMENSIONS ±
 UNLESS OTHERWISE STATED

ELLIOTT BROTHERS (LONDON) LTD

TITLE
A-FS BOARD POS. 29
CABLE RECEIVERS
2

SCALE
DRAWING No.
322 C 5220